



ELECTRICAL PUMP: PUMP MULTIPOINT

Description

The MULTIPORT electric grease pump is designed to feed progressive lubrication systems. It can be supplied with 1, 2 or 3 discharge elements with fixed or adjustable output. Different voltages are available, continuous, singlephase or 3 phase. The reservoirs are metal or plastic with or without low level switch.

Functioning

The MULTIPORT pump is equipped with an eccentric gear reducer which operates with 1 or more discharge elements which pushes lubricant into lubrication lines.

Control

The pumps can be supplied with an electrical low level switch. Each discharge element is equipped with a safety valve which prevents over pressure in the system.

Characteristics:

- Discharge pression: 250 bars.
- Reservoir capacities: 2 ou 4 kgs (plastic)
8 kgs (métal)
- Discharge: G1/4, (0.16cc per revolution)
6,4 cc/min for DC voltages
4,3 cc/min for AC voltages
Adjustable safety valve (0 to 250 bars).
- Voltage: 12 ou 24 VDC 110
monophase 110 or 220
VAC 50/60 Hz
Triphase 220/380 VAC 50/60 Hz
- Electric low level switch: 240 VAC, 1.5 A, IP67
- Lubricants to be used: Grease NLGI 2 max
Oil (contact Bijur)
- Working temperature: -18°C to +50°C
- Installation: on vertical position

Ordering instructions

To define the exact pump characteristics use the following codes.

Example

MULTIPOINT pump, 1 fixed outlet, with a 4kg reservoir equipped with low level switch, electric motor 220/380 VAC with an extra outlet:

1 x Multi 4BE + 1 x 282784

Nota

Multipoint pump can be equipped with adjustable pumping element (0 to 0,16cc per revolution) which must ordered separatly (part number AK442).



PUMP CODE	_____ MULTI _____		
Reservoir capacity	2	2 kg	Plastic
	4	4 kg	Plastic
	8	8 kg	Métal
Low level switch	A	Without low level switch (2Kg only)	
	B	With low level switch	
Voltage	A	12 VDC	4Amp
	B	24 VDC	2 Amp
	C	110 VAC	0.06 Kw, 50/60 Hz
	D	220 VAC	0.06 Kw, 50/60 Hz
	E	220/380 VAC	0.09 Kw, 50/60 Hz.
	F	Other voltage (contact Bijur)	

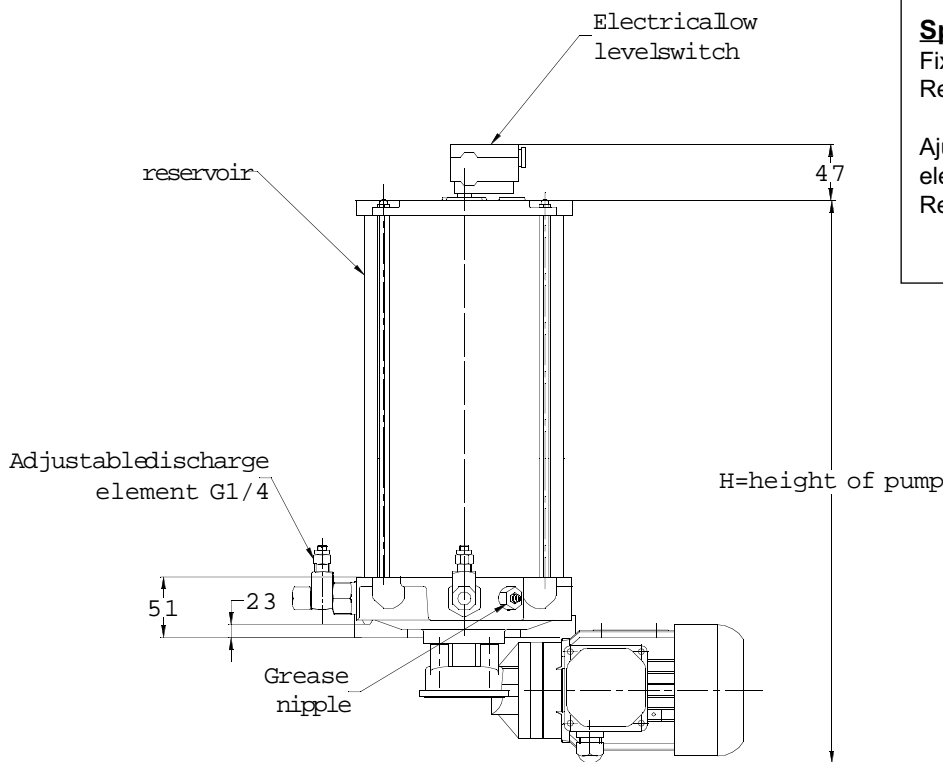
Nota

Lubricators with 8kg reservoir are always supplied with low level switch.



DRAWING: PUMP MULTIPORT

Singlephase and 3 phase MULTIPORT pump



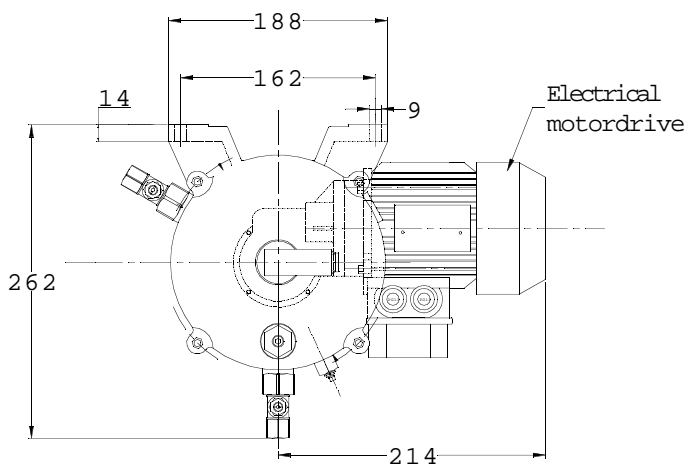
Option:

Electrical high level switch
 Ref: **AC462.**

Spare parts:

Fixed discharge pumping element,
 Ref. **282784.**

Ajustable discharge pumping element,
 Ref. **AK442.**



Pump height:

- Reservoir 2 Kg H = 333 mm
- Reservoir 4 Kg H = 406 mm
- Reservoir 8 Kg H = 640 mm

Ref: MULTI4BE with a discharge element (282784)

BIJUR EUROPE

Tél . : +33 (0)1 69 29 85 85 - Fax : +33 (0) 69 07 76 27
Email : contact@bijur.fr - Site Internet : www.bijur.fr

BIJUR USA

Phone: (919) 465-4448 - Fax: (919) 465-0516 - Toll Free: (800) 631-0168
Email : bijur@worldnet.att.net - website: www.bijur.com



SERVICE INSTRUCTIONS: PUMP MULTIPOINT

Start up and service

Fill the reservoir with a manual or pneumatic grease gun by using the grease nipple which is located at the bottom of the reservoir. After having primed the pump check the system has been pressurised.

If it has not check the direction of rotation of the motor. Check and control periodically the grease level and the safety valve.



LUBRICATION GROUP

BIJUR**DELIMON****FARVAL****LUBESITE****LUBRIMONSA**

ISO 9001 : 2000

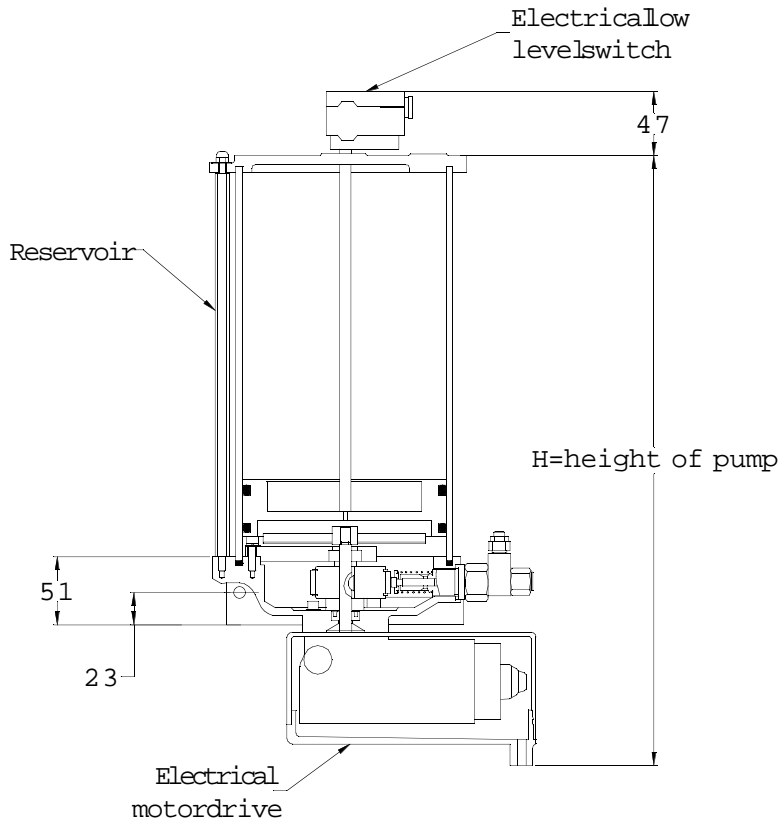
03-1602

(Rev.1) (12/05)



**DRAWING:
 PUMP MULTIPORT**

12 et 24 VDC MULTIPORT pump



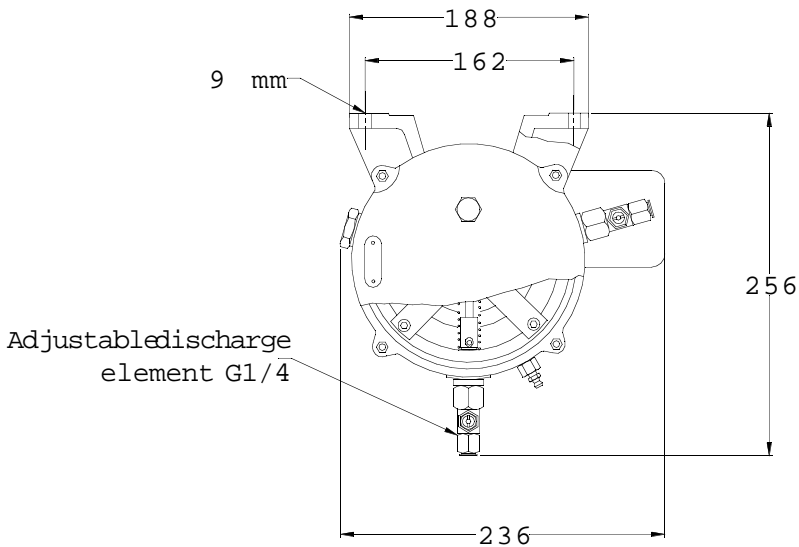
Option:

Electrical high level switch
 Ref: **AC462.**

Spare parts:

Fixed discharge pumping element,
 Ref. **282784.**

Ajustable discharge pumping
 element,
 Ref. **AK442.**



Pump height:

- Reservoir 2 Kg H = 350 mm
- Reservoir 4 Kg H = 406 mm

Ref: MULTI4BA with a discharge element (282784)

BIJUR EUROPE

Tél . : +33 (0)1 69 29 85 85 - Fax : +33 (0) 69 07 76 27
Email : contact@bijur.fr - Site Internet : www.bijur.fr

BIJUR USA

Phone: (919) 465-4448 - Fax: (919) 465-0516 - Toll Free: (800) 631-0168
Email : bijur@worldnet.att.net - website: www.bijur.com



SERVICE INSTRUCTIONS: PUMP MULTIPOINT

Start up and service

Fill the reservoir with a manual or pneumatic grease gun by using the grease nipple which is located at the bottom of the reservoir. After having primed the pump check the system has been pressurised.

If it has not check the direction of rotation of the motor. Check and control periodically the grease level and the safety valve.



LUBRICATION GROUP

BIJUR**DELIMON****FARVAL****LUBESITE****LUBRIMONSA**

ISO 9001 : 2000

03-1604

(Rev.1) (12/05)



KIT MAINTENANCE: PUMP MULTIPOINT 2 KG

RESERVOIR MAINTENANCE KIT: PUMP TYPE MULTIPOINT 2 KG WITHOUT LLS		
Reference	Description	Quantity
A0326	Reservoir 2kg	1
	Cover	1
	Reservoir screw	5
	Reservoir seal	1
	O ring	1

RESERVOIR AND PUMP MAINTENANCE KIT: PUMP TYPE MULTIPOINT 2 KG WITHOUT LLS		
Reference	Description	Quantity
A0327	Reservoir maintenance kit	1
	Copper seal pump element	1
	Seal motor shaft	1

RESERVOIR MAINTENANCE KIT: PUMP TYPE MULTIPOINT 2KG WITH LLS		
Reference	Description	Quantity
A0328	Reservoir 2kg	1
	Reservoir screw	4
	Washer	4
	Reservoir seal	1
	Follower plate O ring	2
	Low level switch	1

RESERVOIR AND PUMP MAINTENANCE KIT: PUMP TYPE MULTIPOINT 2 KG WITH LLS		
Reference	Description	Quantity
A0329	Reservoir maintenance kit	1
	Copper seal pump element	1
	Seal motor shaft	1



KIT MAINTENANCE: PUMP MULTIPOINT 4 KG

RESERVOIR MAINTENANCE KIT: PUMP TYPE MULTIPOINT 4 KG WITH LLS

Reference	Description	Quantity
A0324	Reservoir 4kg	1
	Reservoir screw	4
	Washer	4
	Reservoir seal	1
	Follower plate O ring	2

RESERVOIR AND PUMP MAINTENANCE KIT: PUMP TYPE MULTIPOINT 4 KG WITHOUT LLS

Reference	Description	Quantity
A0325	Reservoir maintenance kit	1
	Copper seal pump element	1
	Seal motor shaft	1

RESERVOIR AND PUMP MAINTENANCE KIT: PUMP TYPE MULTIPOINT 4 KG WITH LLS

Reference	Description	Quantity
A0330	Reservoir maintenance kit	1
	Copper seal pump element	1
	Seal motor shaft	1
	Low level switch and cover	1



KIT MAINTENANCE: PUMP MULTIPOINT 8 KG

RESERVOIR MAINTENANCE KIT: PUMP TYPE MULTIPOINT 8 KG		
Reference	Description	Quantity
A0331	Reservoir 8 kg	1
	Reservoir screw	4
	Washer	4
	Reservoir seal	1
	Follower plate O ring	2

RESERVOIR AND PUMP MAINTENANCE KIT: PUMP TYPE MULTIPOINT 8 KG WITHOUT LLS		
Reference	Description	Quantity
A0332	Reservoir maintenance kit	1
	Copper seal pump element	1
	Seal motor shaft	1

RESERVOIR AND PUMP MAINTENANCE KIT: PUMP TYPE MULTIPOINT 8 KG WITH LLS		
Reference	Description	Quantity
A0333	Reservoir maintenance kit	1
	Copper seal pump element	1
	Seal motor shaft	1
	Low level switch	1