



LUBSITE: AUTOMATIC LUBRICATOR LUBESTATION

Description

The LUBESTATION is an automatic lubricator comprising a refillable reservoir, a piston pump unit and an integrated timer, which is perfectly adapted for small machines or single point lubrication. It can also be connected to our multi outlet kits to supply a maximum of 8 lubrication points.

Functioning

The LUBESTATION is equipped with a base time controller which controls the time between lubrication cycles.

The piston pump unit, driven by a direct current electric motor, delivers a fixed volume of 0,5cm³ each cycle.

For programming, open the front cover and see adjustment table for the required lubricating cycle. An ON / OFF button stops it immediately if required.

The LUBESTATION is supplied with 4 batteries LR6-1,5V.

During functioning, a green LED flashes every 5 seconds to indicate it is operating correctly.

Characteristics

- Voltage : 6 VDC, 4 batteries LR 6.
- Programming : 1 to 18 months.
- Discharge : 0,5 cm³ per stroke.
- Pressure : 25 bar max.
- Reservoir capacity : 113 gr or 226 gr
- Working temperature : -10° to 50°C max.
- Lubricant to be used : grease NLGI 2 max.

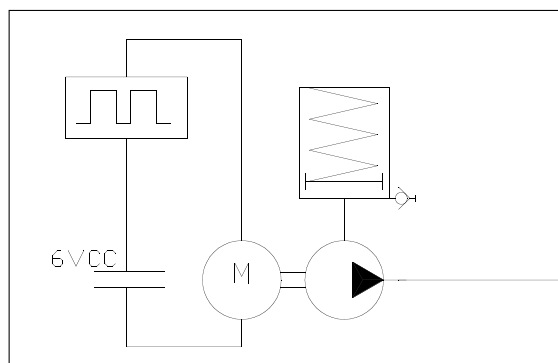


LUBESTATION 113 Gr.



LUBESTATION 226 Gr.

System outline



Ordering instructions

Lubestation 113 Gr. : Ref 27458 4RB
 Lubestation 226 Gr. : Ref 27458 8RB

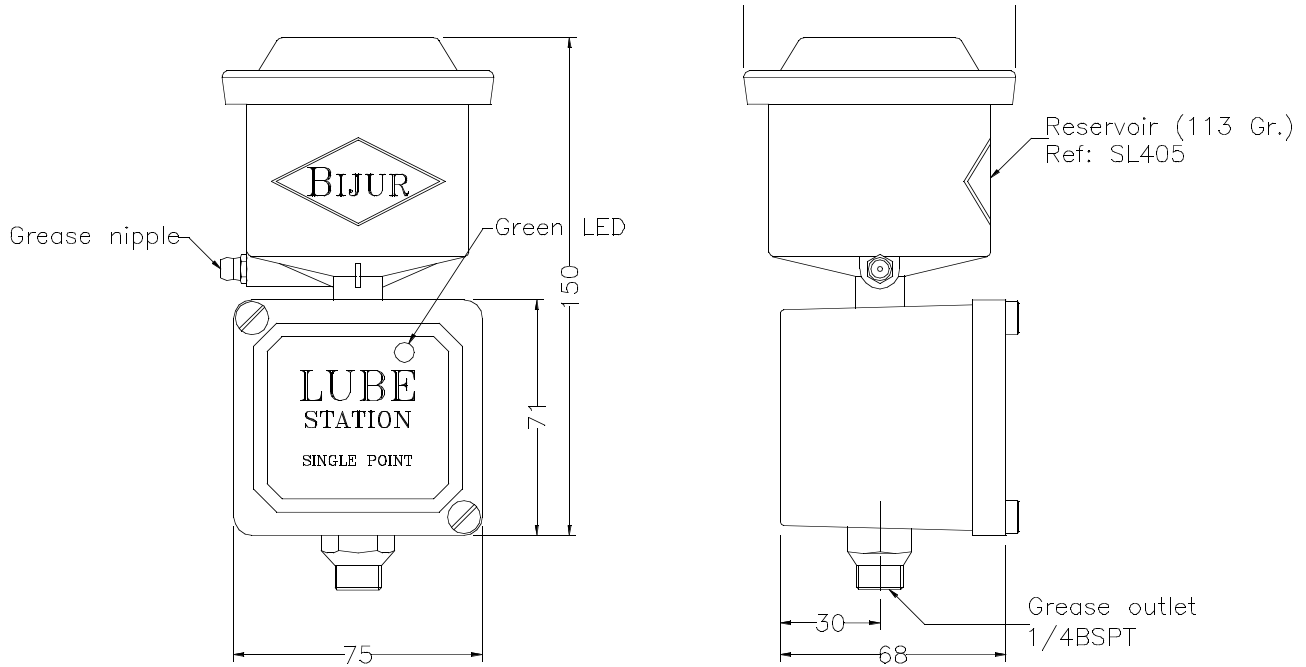
Outside dimensions

See overleaf.

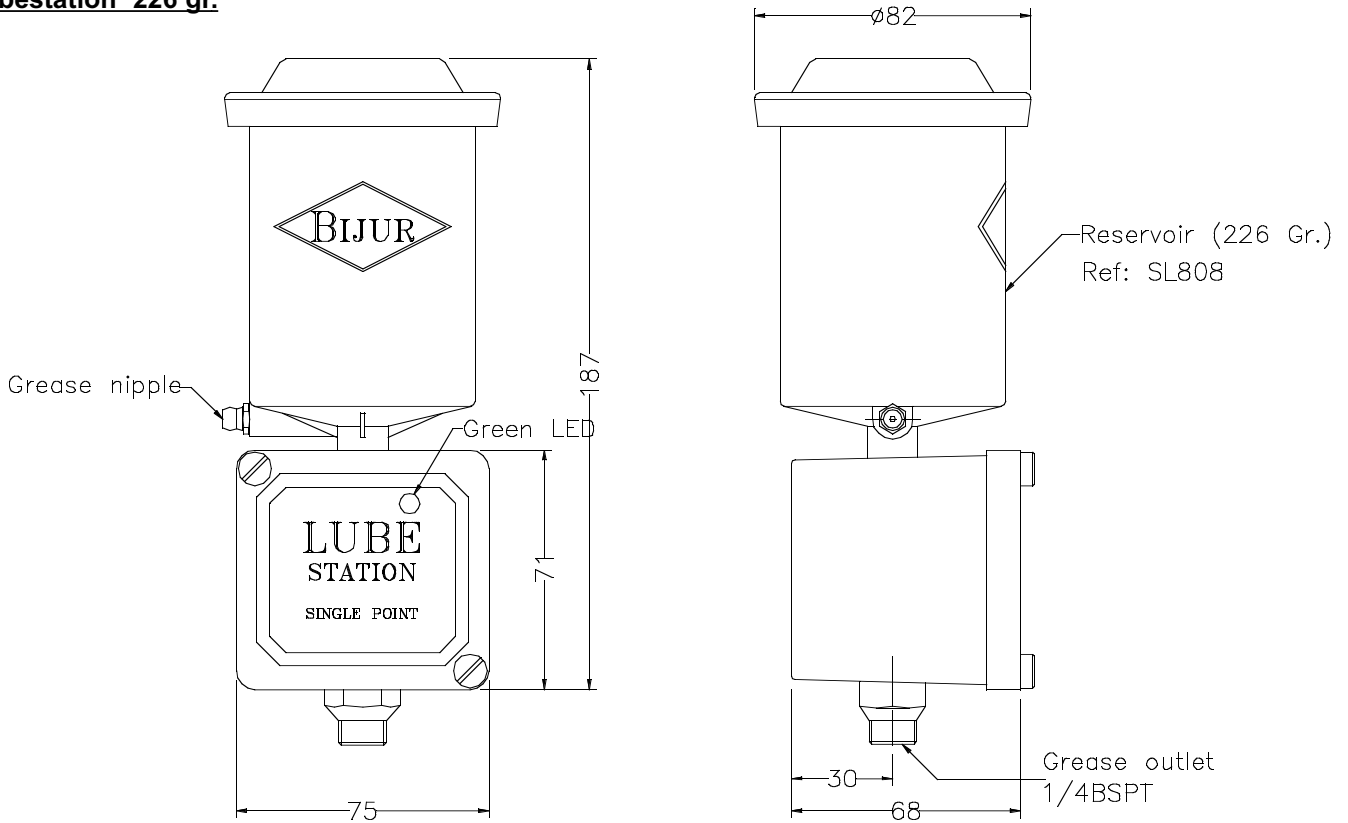


**DRAWING:
 AUTOMATIC LUBRICATOR LUBESTATION**

Lubestation 113 gr.



Lubestation 226 gr.





SERVICE INSTRUCTIONS: AUTOMATIC LUBRICATOR LUBESTATION

Start-up

Remove the front cover and insert battery pack. Program the timer in selecting desired settings as required for the application by moving DIP switches 3 to 8 to "ON".

For start-up, move DIP switch 1 to "ON".

Check that green LED flashes every 5 seconds.

For continuous discharge, move DIP switch 2 to "ON".

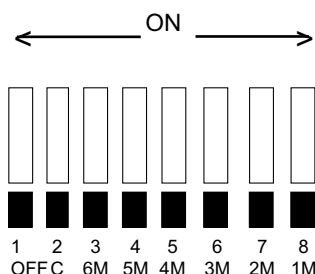
Service

For reservoir refilling, use only the grease nipple.

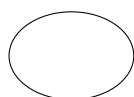
Control periodically the battery pack power to ensure that the system is functioning correctly.

(LED indicator should flash at 5 seconds intervals)

Switch		113g	226g		
1	on/off	--	--	--	--
2	continuous run	--	--	--	--
3	18 hours	4068	8136	40	0,65
4	15 hours	3390	6780	48	0,8
5	12 hours	2712	5474	60	1
6	9 hours	2034	4068	81	1,35
7	6 hours	1356	2712	120	2
8	3 hours	678	1356	240	4



BATTERY PACK



LED

Legend

ON : Operating position

OFF : Stop position

C : Continuous Run

6M : 6 months refilling reservoir

Position of DIP switches 3 to 8 is cumulative.

Example

6M + 5M = 11 months cumulative.